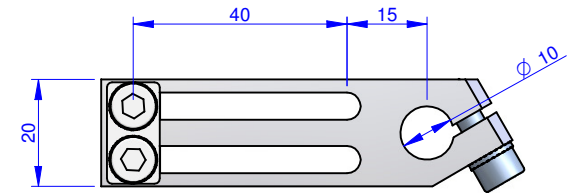
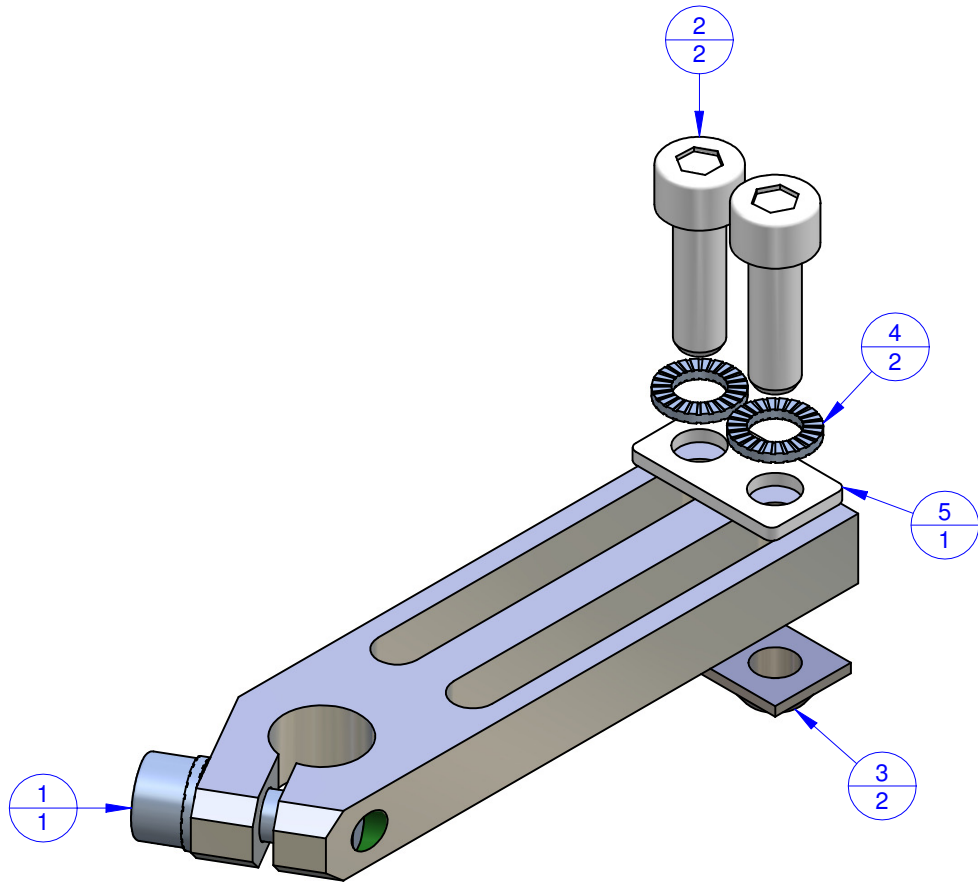


THE PROPERTY OF THIS DRAWING IS ESTABLISHED BY LAW  
IT IS FORBIDDEN TO REPRODUCE IT OR SHOW IT TO THIRD PARTY  
WITHOUT A WRITTEN AGREEMENT.



Object Number	Name	QTY
1	CA.WSL.1040.VU	1
2	V.TCE5X16	2
3	CA.02.05.007	2
4	R.5.SCH	2
5	R.05.10	1

MODIFICATIONS: VARIED DIMENSIONS AS OF DATE:

7	10
8	11
9	12

MODIFICATIONS: VARIED DIMENSIONS AS OF DATE:

1	4
2	5
3	6

Format **A3**  
UNI 936-76

<b>FP Services</b> GENERAL TOLERANCE: UNI - ISO 2768 CLASSE f	DESCRIPTION	DESIGNED FROM FPSERVICES
		DATE 08/2013
		CODE <b>CA.WSL.1040.VU.5</b>

